

NVE



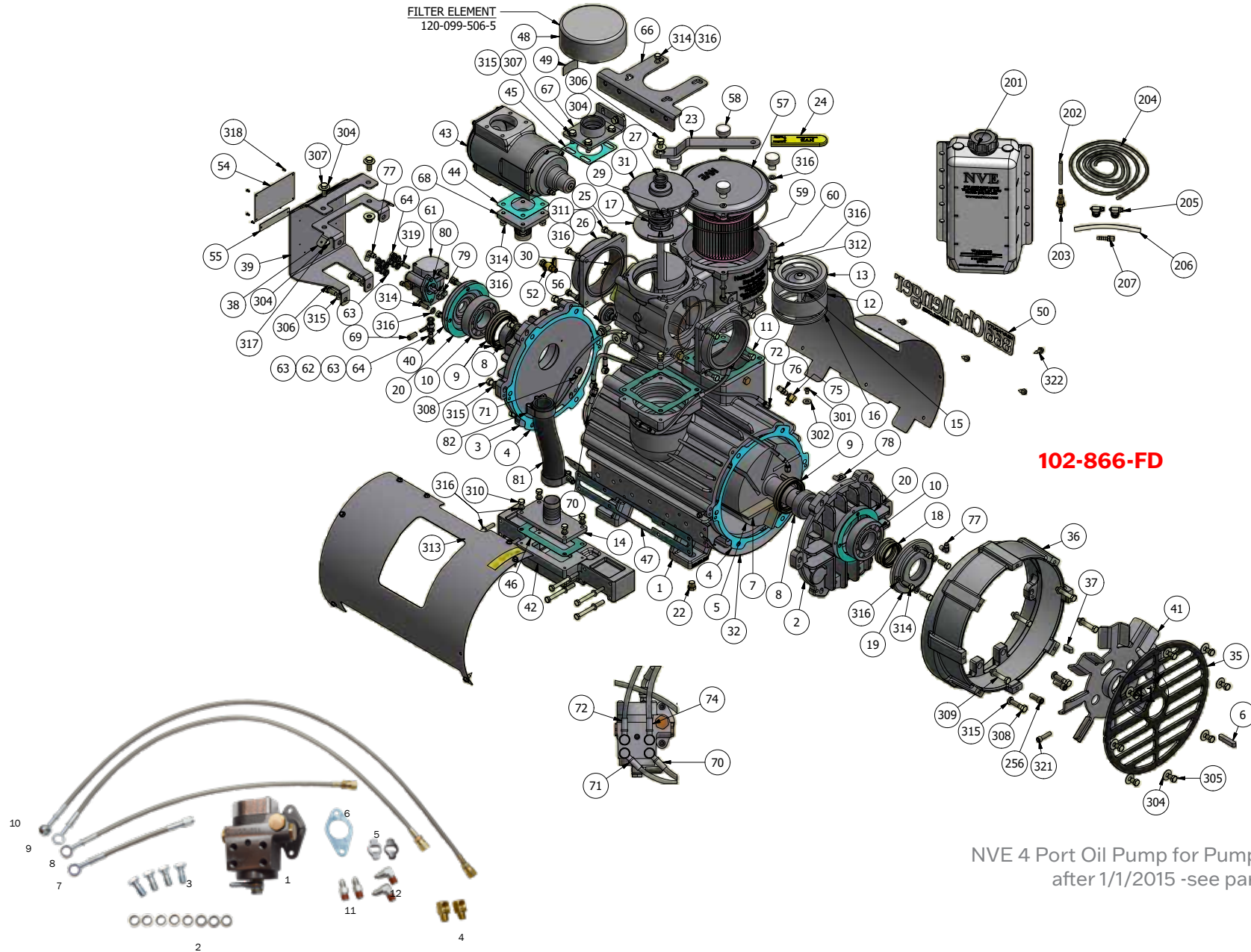
866 HEAVY DUTY VACUUM PUMPS PARTS CATALOG

Challenger Series
VACUUM PUMPS & BLOWERS



Designed. Built. Supported in The USA.

800-253-5500 | www.natvac.com



866 Challenger Series Fan Cooled Parts List

ITEM	QTY	PART NUMBER	DESCRIPTION
1	1	120-001-506	HOUSING 506/866
2	1	120-003-506-D	ENDPLATE, 866 FAN CW
3	1	120-003-506-S	ENDPLATE, 866 FAN CCW
4	2	120-004-460	GASKET ENDPLATE 460
5	1	120-005-506-D 120-005-506-S	ROTOR 866 CW ROTOR 866 CCW
6	1	120-006	KEY 3/8" X 3/8" X 2"
7	6	120-007-506	VANE 506
8	2	120-009-506	SEAL SLEEVE 506
9	4	120-018-506	SEAL 65 X 85 X 8 VITON
10	2	120-019-506	BEARING NJ309 C3
11	2	120-039-506	GASKET, 4" INT/EXH FLANGE
12	1	120-041-001	INTERNAL CHECK VALVE, BODY, 866
13	1	120-041-002	INTERNAL CHECK VALVE, TOP PLATE, 866
14	1	120-041-017	BALLAST PORT, HOSE CONNECTION WELDMENT
15	1	120-041-506	CHECK VALVE 4"
16	1	120-042-506	RETAINER CHECK VALVE 4"
17	1	120-045	SPRING 4-WAY FTR VALVE
18	2	120-053-506	SEAL 45 X 62 X 8 VITON
19	1	120-054-506	BEARING COVER
20	2	120-055-506	GASKET BEARING COVER
21	2	120-058	PLUG BRASS HEX HEAD 1/8" NPT
22	3	120-059	PLUG BRASS HEX HEAD 1/4" NPT
23	1	120-060-001	HANDLE, 367 GEN 2
24	1	120-060-002	GRIP, HANDLE W/ LOGO
25	1	120-062-006	PLUG 866
26	2	120-063-506	FLANGE 4" NPT
27	2	120-064-002	O-RING, 2-214 VITON
28	1	120-064-004	O-RING, 2-265 VITON
29	1	120-064-007	O-RING, 2-248 VITON
30	2	120-064-506	ORING, 2-158 SILICONE
31	1	120-065-001	TOWER 866
32	1	120-070-005-D 120-070-005-S	SHROUD LOWER 866 CW SHROUD LOWER 866 CCW
33	1	120-071-005-D 120-071-005-S	SHROUD UPPER 866 CW SHROUD UPPER 866 CCW
34	1	120-072-005-D 120-072-005-S	SHROUD SERVICE PANEL 866 CW SHROUD SERVICE PANEL 866 CCW

ITEM	QTY	PART NUMBER	DESCRIPTION
35	1	120-073-E	FAN COVER 607/866 E-COAT
36	1	120-074-506	FAN SHROUD 506/866
37	1	120-076	KEY 3/8" X 3/8" X 1"
38	1	120-077-005	SHROUD/OPG SUPPORT 866
39	1	120-079-009	GUARD NVE OIL PUMP 866 W/ TAG MOUNT
40	1	120-080-506	BEARING COVER, 506 OIL PUMP
41	1	120-084-002 120-084-001	FAN ASSY, CW, 866 FAN ASSY, CCW, 866
42	1	120-090-506	LOWER BALLAST MANIFOLD
43	1	120-095-100	CHECK VALVE ASSEMBLY VAC OPERATED
44	1	120-097-003	GASKET BALLAST VALVE LOWER
45	1	120-097-006	GASKET BALLAST VALVE TOP
46	1	120-097-506-E	GASKET BALLAST ELBOW
47	1	120-097-506-M	GASKET LOWER BALLAST MANIFOLD
48	1	120-099-506-4 120-099-506-5	BALLAST FILTER ASSEMBLY, REMOTE FLTR ELEMENT 866 REMOTE
49	1	120-100-012	DECAL CLEAN FILTER REGULARY YELLOW
50	1	120-100-866	DECAL 866 CHALLENGER HD
51	1	120-101-003 120-101-004	DECAL CW ROTATION ARROW DECAL CCW ROTATION ARROW
52	1	120-102	VALVE, DRAIN 1/8" NPT
53	1	120-103-367	DECAL, IMPORTANT, MAX OPERATING TEMP
54	1	120-105-866	NAME PLATE SS, 866
55	1	120-107-001	SERIAL TAG SS
56	1	120-220	THERMOMETER, 50- 400 DEG, 2" FACE
57	1	120-310-001	COVER, FILTER 607/866
58	4	120-312-002	KNOB, 5/16-18UNC
59	1	120-314-001	FILTER ELEMENT 607/866
60	1	120-320-002	MANIFOLD, 866, MACHINED
61	1	123-000-004	OIL PUMP 4 PORT BIDIRECTIONAL
62	1	123-408-017	BANJO ADAPTER TO 0.250" HB
63	10	123-013-001	WASHER 3/8" SEALING NBR
64	5	123-408-014	BANJO BOLT 1/8" BSPP

866 Challenger Series Fan Cooled | Parts List

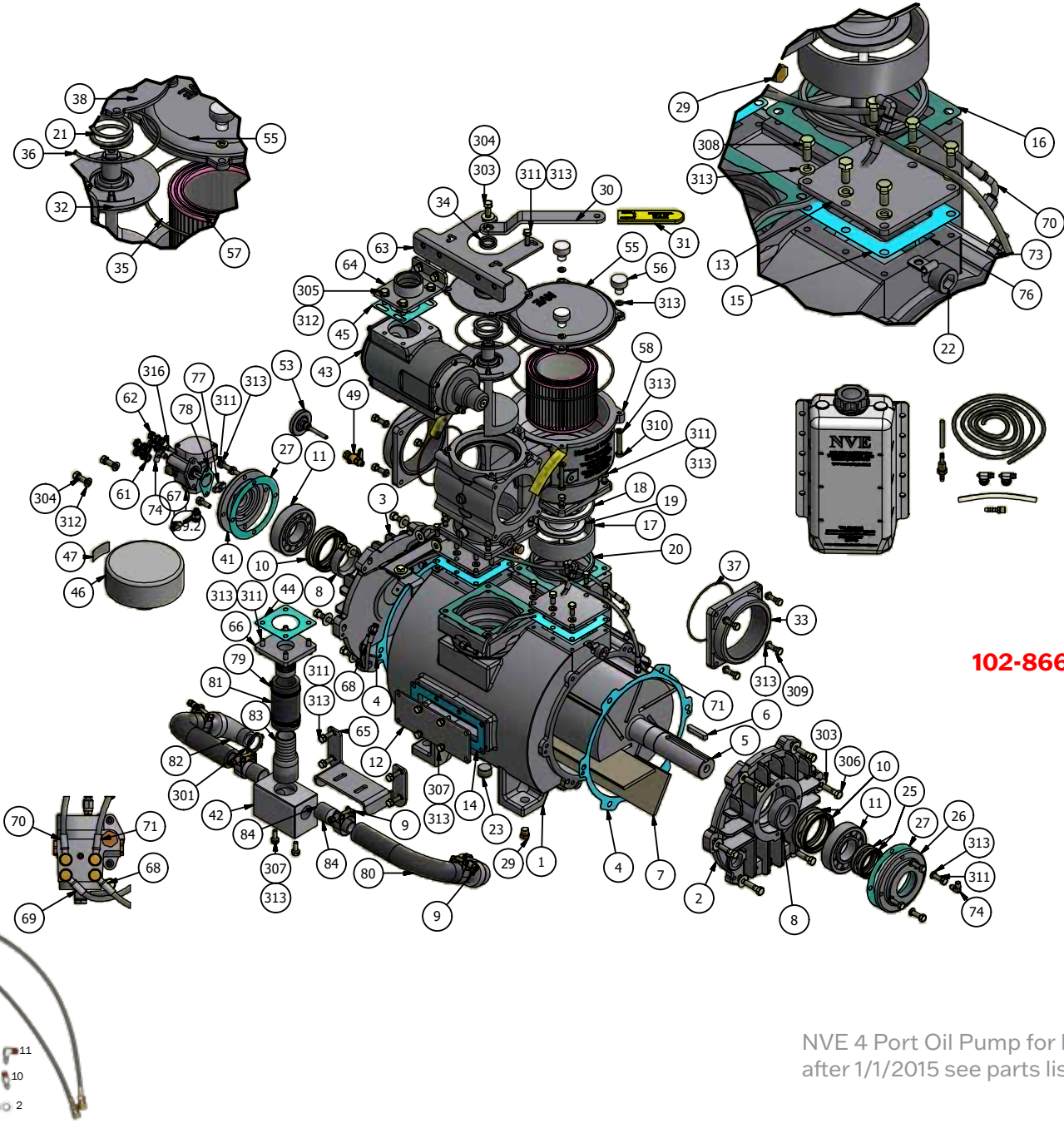
ITEM	QTY	PART NUMBER	DESCRIPTION
66	1	280-355-135	BALLAST VALVE PUMP BRACKET
67	1	280-355-136	BALLAST VALVE MOUNTING BRACKET
68	1	280-355-152	LOWER FLANGE WELDMENT, 866 BALLAST CHECK VALVE RETROFIT
69	1	320-083-011	CAP OIL PUMP FEED LINE FITTING
70	1	320-407-005Z	OIL LINE -3 SST FEMALE JIC TO BANJO 6.75"
71	1	320-407-011	OIL LINE -3 SST FEMALE JIC TO BANJO 16.50"
72	1	320-407-012	OIL LINE -3 SST FEMALE JIC TO BANJO 26.75"
73	1	320-407-034	OIL LINE -3 SST 90 DEG JIC TO STR -3 FEMALE JIC 14.75"
74	1	320-407-036	OIL LINE -3 SST 45 DEG JIC TO BANJO 31.5"
75	2	320-408-002	ADAPTER, ELBOW 1/8 MNPT-FNPT
76	2	320-408-016	FITTING STR -3 MJIC X 1/8 MNPT
77	3	320-408-017	FITTING ELBOW -3 MJIC X 1/8 MNPT
78	2	320-409-003	P-CLIP, OIL LINE 1/4" X 5/16
79	2	320-LF8	DRIVE TAB
80	1	320-R31	GASKET, OIL PUMP
81	1	426-150-TAR-0950	HOSE, 1.5", HOT TAR AND ASPHALT, 9.5"
82	2	426-150-TBC	CLAMP T-BOLT 2" DIA
200	1	OWNERS MANUAL - 866	OWNERS MANUAL - 866
201	1	320-082-001	OIL TANK, 5QT, W/ LOGO
202	1	320-083-009	OIL TANK FILTER, 100 MESH
203	1	320-083-010	FILTER FITTING, OIL TANK 1/4 NPT
204	5 FT	320-407-003	OIL LINE, BLK 1/4" ID 30R7
205	2	416-025-1WC	CLAMP, WORM, 1/4" DIA
206	6 IN	320-R102	OIL LINE, 3/8" X 1/4" ID X 6" LG
207	1	310-LP5	HOSE BARB 1/4" X 1/8" NPT STRAIGHT
301	1	BHCS - 1/4-20 UNC X 0.38	BHCS - 1/4-20 UNC X 0.38
302	1	FW - 1/4 USS	FLAT WASHER - 1/4" USS
303	6	FW - 3/8	FLAT WASHER, 3/8"
304	9	FW - 3/8 USS	FLAT WASHER - 3/8 USS
305	8	HHCS - 3/8-16 UNC X 0.50	HEX HEAD CAP SCREW - 3/8-16 UNC X 0.50
306	3	HHCS - 3/8-16 UNC X 0.75	HEX HEAD CAP SCREW - 3/8-16 UNC X 0.75
307	8	HHCS - 3/8-16 UNC X 1.00	HEX HEAD CAP SCREW - 3/8-16 UNC X 1.00
308	8	HHCS - 3/8-16 UNC X 1.50	HEX HEAD CAP SCREW - 3/8-16 UNC X 1.50"
311	16	HHCS - 5/16-18 UNC X 1.25	HEX HEAD CAP SCREW - 5/16-18 UNC X 1.25
312	4	HHCS - 5/16-18 UNC X 2.00 - FULL THREAD	HEX HEAD CAP SCREW - 5/16-18 UNC X 2.00 FULL THREAD

ITEM	QTY	PART NUMBER	DESCRIPTION
313	8	HHCS - 5/16-18 UNC X 3.25	HEX HEAD CAP SCREW - 5/16-18 UNC X 3.25
314	16	HHCS - 5/16-18 UNC x 1.00	HEX HEAD CAP SCREW - 5/16-18 UNC x 1.00
315	20	LW - 3/8	LOCK WASHER, 3/8"
316	52	LW - 5/16	LOCK WASHER, 5/16"
317	2	NYLOCK NUT - 3/8 UNC	NYLOCK NUT - 3/8 UNC
318	6	RVT 3/32 D X 1/4L SS	BLIND RIVET, 3/32 DIA X 1/4 GRIP, SS
319	2	SHCS - 1/4-20 UNC X 0.75	SOCKET HEAD CAP SCREW 1/4" - 20 X 3/4"
320	2	SHCS - 5/16-18 UNC X 0.875	SHCS - 5/16-18 UNC X 0.875
321	1	SHCS - 5/16-24 UNF X 1.25	SHCS - 5/16-24 UNF X 1.25
322	13	TAPSCR - 1/4-14 X 0.75	HEX HEAD SELF TAPPING SCREW 1/4-14

NVE 4 Port Oil Pump | Parts List for Fan Cooled Pumps

ITEM	PART NUMBER	DESCRIPTION
1	123-000-003	4 PORT OIL PUMP
2	123-013-001	WASHER
3	123-408-014Z	BANJO BOLT
4	120-058	BRASS PLUG
5	320-LF8	DRIVE TAB
6	320-R31	GASKET
7	320-407-005Z	OIL LINE - 6.75"
8	320-407-011	OIL LINE - 16.5"
9	320-407-012	OIL LINE - 26.75"
10	320-407-036	OIL LINE - 31.50"
11	320-408-016	FITTING STRAIGHT
12	320-408-017	FITTING ELBOW

866 Challenger Series Liquid Cooled | Parts Diagram



102-866-LD

NVE 4 Port Oil Pump for Pumps Manufactured after 1/1/2015 see parts list on page 7.

866 Challenger Series Liquid Cooled Parts List

ITEM	QTY	PART NUMBER	DESCRIPTION
1	1	120-001-506-L	HOUSING 866 LIQUID COOLED
2	1	120-003-506-LD	ENDPLATE, 866 LIQ CW
3	1	120-003-506-LS	ENDPLATE, 866 LIQ CCW
4	2	120-004-460	GASKET ENDPLATE 460
5	1	120-005-506-D 120-005-506-S	ROTOR, 506 CW (102-866-LD) ROTOR, 506 CCW (102-866-LS)
6	1	120-006	KEY 3/8" X 3/8" X 2"
7	6	120-007-506	VANE 506
8	2	120-009-506	SEAL SLEEVE 506
9	4	120-015	CLAMP T-BOLT 1.5"
10	4	120-018-506	SEAL 65 X 85 X 8 VITON
11	2	120-019-506	BEARING NJ309 C3
12	1	120-021-367	COVER PLATE, 367 WATER JACKET
13	2	120-021-506	COVER PLATE, 506 TOP JACKET
14	1	120-022-367	GASKET, 367/506 COVER PLATE
15	2	120-022-506	GASKET, 506 TOP COVER PLATE
16	2	120-039-506	GASKET, 4" INT/EXH FLANGE
17	1	120-041-001	INTERNAL CHECK VALVE, BODY, 866
18	1	120-041-002	INTERNAL CHECK VALVE, TOP PLATE, 866
19	1	120-041-506	CHECK VALVE 4"
20	1	120-042-506	RETAINER CHECK VALVE 4"
21	1	120-045	SPRING 4-WAY FTR VALVE
22	1	120-047	DRAIN PLUG, 3/4" NPT
23	1	120-047-1	DRAIN PLUG, 3/4" NPT MAGNETIC
24	1	120-049	BUSHING, 3/4" NPT X 1/8" FNPT
25	2	120-053-506	SEAL 45 X 62 X 8 VITON
26	1	120-054-506	BEARING COVER
27	2	120-055-506	GASKET BEARING COVER
28	1	120-058	PLUG BRASS HEX HEAD 1/8" NPT
29	3	120-059	PLUG BRASS HEX HEAD 1/4" NPT
30	1	120-060-001	HANDLE, 367 GEN 2
31	1	120-060-002	GRIP, HANDLE W/ LOGO
32	1	120-062-006	PLUG 866
33	2	120-063-506	FLANGE 4" NPT
34	2	120-064-002	O-RING, 2-214 VITON
35	1	120-064-004	O-RING, 2-265 VITON
36	1	120-064-007	O-RING, 2-248 VITON

ITEM	QTY	PART NUMBER	DESCRIPTION
37	2	120-064-506	ORING, 2-158 SILICONE
38	1	120-065-001	TOWER 866
39	1	120-077-005	SHROUD/OPG SUPPORT 866
40	1	120-079-009	GUARD NVE OIL PUMP 866 W/ TAG MOUNT
41	1	120-080-506	BEARING COVER, 506 OIL PUMP
42	1	120-089-866	BALLAST BLOCK 866 LIQ COOLED
43	1	120-095-100	CHECK VALVE ASSEMBLY VAC OPERATED
44	1	120-097-003	GASKET BALLAST VALVE LOWER
45	1	120-097-006	GASKET BALLAST VALVE TOP
46	1	120-099-506-4 120-099-506-5	BALLAST FILTER ASSEMBLY, REMOTE FLTR ELEMENT 866 REMOTE
47	1	120-100-012	DECAL CLEAN FILTER REGULARY YELLOW
48	1	120-101-003	DECAL CW ROTATION ARROW
49	1	120-102	VALVE, DRAIN 1/8" NPT
50	1	120-103-367	DECAL, IMPORTANT, MAX OPERATING TEMP
51	1	120-105-866	NAME PLATE SS, 866
52	1	120-107-001	SERIAL TAG SS
53	1	120-220	THERMOMETER, 50- 400 DEG, 2" FACE
54	1	120-220-1	THERMOMETER 220 F 1/8" NPT
55	1	120-310-001	COVER, FILTER 607/866
56	4	120-312-002	KNOB, 5/16-18UNC
57	1	120-314-001	FILTER ELEMENT 607/866
58	1	120-320-002	MANIFOLD, 866, MACHINED
59	1	123-000-004	OIL PUMP 4 PORT BIDIRECTIONAL
60	1	123-408-017	BANJO ADAPTER TO 0.250" HB
61	10	123-013-001	WASHER 3/8" SEALING NBR
62	5	123-408-014	BANJO BOLT 1/8" BSPP
63	1	280-355-135	BALLAST VALVE PUMP BRACKET
64	1	280-355-136	BALLAST VALVE MOUNTING BRACKET
65	1	280-355-151	MANIFOLD BRACKET, 866 LIQUID, BALLAST CHECK VALVE RETROFIT
66	1	280-355-152	LOWER FLANGE WELDMNT, 866 BALLAST CHECK VALVE RETROFIT
67	1	320-083-011	CAP OIL PUMP FEED LINE FITTING
68	1	320-407-005	OIL LINE -3 SST FEMALE JIC TO BANJO 6.75"
69	1	320-407-006	OIL LINE -3 SST 90 DEG JIC TO BANJO 17.5"
70	1	320-407-009	OIL LINE -3 SST 90 DEG JIC TO BANJO 30"

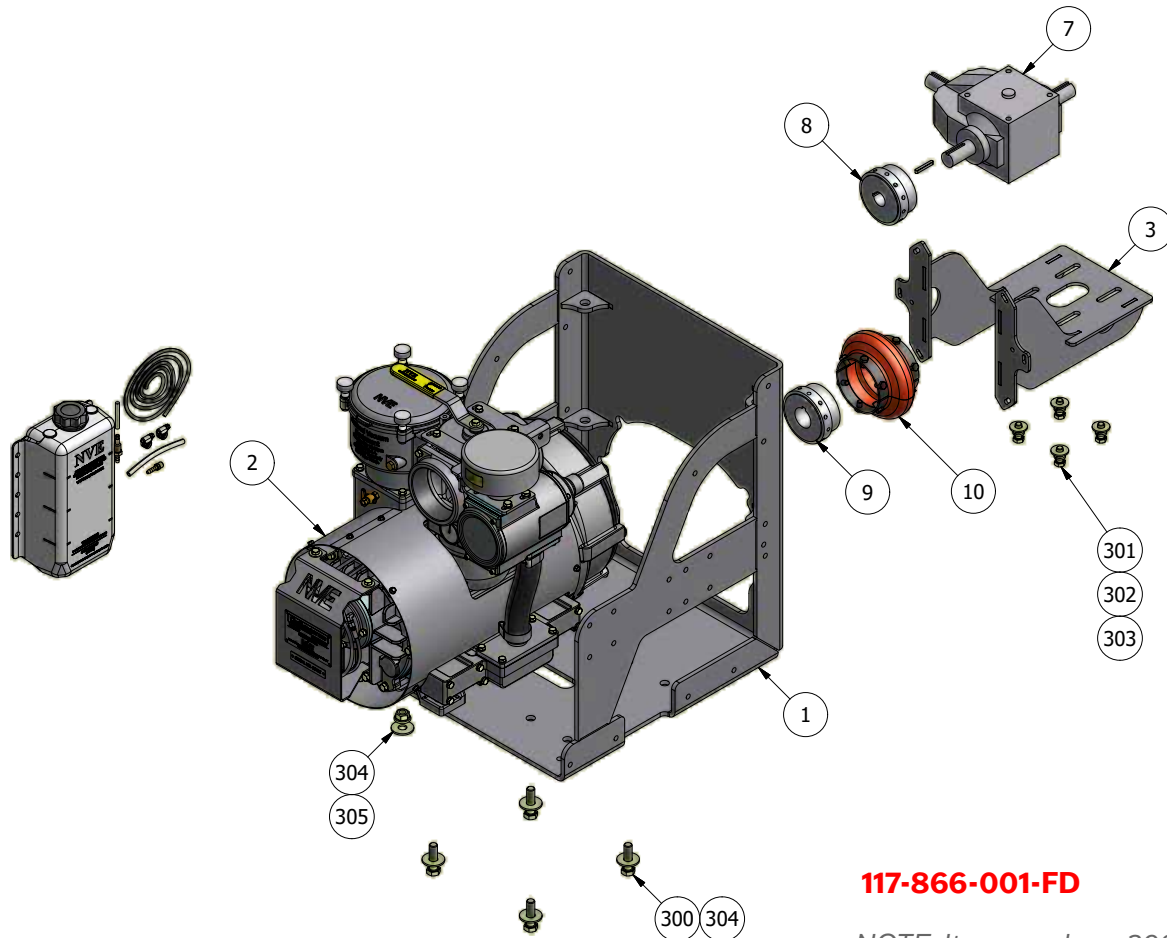
866 Challenger Series Liquid Cooled | Parts List

ITEM	QTY	PART NUMBER	DESCRIPTION
71	1	320-407-010	OIL LINE -3 SST FEMALE JIC TO BANJO 37.50"
72	1	320-407-034	OIL LINE -3 SST 90 DEG JIC TO STR -3 FEMALE JIC 14.75"
73	2	320-408-016	FITTING STR -3 MJIC X 1/8 MNPT
74	3	320-408-017	FITTING ELBOW -3 MJIC X 1/8 MNPT
75	1	320-408-034	ADAPTER STRAIGHT 1/8" MNPT X 1/8" FNPT BRASS
76	6	320-409-003	P-CLIP, OIL LINE 1/4" X 5/16
77	2	320-LF8	DRIVE TAB
78	1	320-R31	GASKET, OIL PUMP
79	2	416-100-1WC	CLAMP, WORM, 1"-2" DIA
80	2	426-100-TAR-1100	HOSE 1"D X 11"L
81	1	426-150-TAR-0400	HOSE, 1.5", HOT TAR AND ASPHALT, 4"
82	2	428-100-E	STREET ELBOW 90 DEG. 1" NPT
83	1	428-150-KN	1/2 KING NIPPLE, 1.5" NPT STEEL PL
84	4	440-100	NIPPLE, KING 1" NPT
200	1	USERS MANUAL, 866	USERS MANUAL, 866
201	1	320-082-001	OIL TANK, 5QT, W/ LOGO
202	1	320-083-009	OIL TANK FILTER, 100 MESH
203	1	320-083-010 W/ HB	FILTER FITTING, OIL TANK 1/4 NPT
204	5 FT	320-407-003	OIL LINE, BLK 1/4" ID 30R7
205	2	416-025-1WC	CLAMP, WORM, 1/4" DIA
206	6 IN	320-R102	OIL LINE, 3/8" X 1/4" ID X 6" LG
207	1	310-LPS	HOSE BARB 1/4" X 1/8" NPT STRAIGHT
301	2	CPF-1.00D	1" CONDUIT LOCKNUT
302	6	FW - 3/8	FLAT WASHER, 3/8"
303	13	FW - 3/8 USS	FLAT WASHER - 3/8 USS
304	3	HHCS - 3/8-16 UNC X 0.75	HEX HEAD CAP SCREW - 3/8-16 UNC X 0.75
305	8	HHCS - 3/8-16 UNC X 1.00	HEX HEAD CAP SCREW - 3/8-16 UNC X 1.00
306	12	HHCS - 3/8-16 UNC X 1.50	HEX HEAD CAP SCREW - 3/8-16 UNC X 1.50"
307	6	HHCS - 5/16-18 UNC X 0.875"	HEX HEAD CAP SCREW - 5/16-18 UNC X 0.875
308	12	HHCS - 5/16-18 UNC x 0.75	HEX HEAD CAP SCREW - 5/16-18 UNC x 0.75
309	8	HHCS - 5/16-18 UNC X 1.25	HEX HEAD CAP SCREW - 5/16-18 UNC X 1.25
310	4	HHCS - 5/16-18 UNC X 2.00 - FULL THREAD	HEX HEAD CAP SCREW - 5/16-18 UNC X 2.00 FULL THREAD
311	28	HHCS - 5/16-18 UNC x 1.00	HEX HEAD CAP SCREW - 5/16-18 UNC x 1.00
312	8	LW - 3/8	LOCK WASHER, 3/8"
313	62	LW - 5/6	LOCK WASHER, 5/16"

ITEM	QTY	PART NUMBER	DESCRIPTION
314	2	NYLOCK NUT - 3/8 UNC	NYLOCK NUT - 3/8 UNC
315	6	RVT 3/32 D X 1/4L SS	BLIND RIVET, 3/32 DIA X 1/4 GRIP, SS
316	2	SHCS - 1/4-20 UNC X 0.75	SOCKET HEAD CAP SCREW 1/4" - 20 X 3/4"

NVE 4 Port Oil Pump | Parts List for Liquid Cooled Pumps

ITEM	PART NUMBER	DESCRIPTION
1	123-000-003	4 PORT OIL PUMP
2	123-013-001	WASHER
3	123-408-014Z	BANJO BOLT
4	320-LF8	DRIVE TAB
5	320-R31	GASKET
6	320-407-005Z	OIL LINE - 6.75"
7	320-407-006Z	OIL LINE - 17.5"
8	320-407-009	OIL LINE - 30"
9	320-407-010	OIL LINE - 37.5"
10	320-408-016	FITTING STRAIGHT
11	320-408-017	FITTING ELBOW

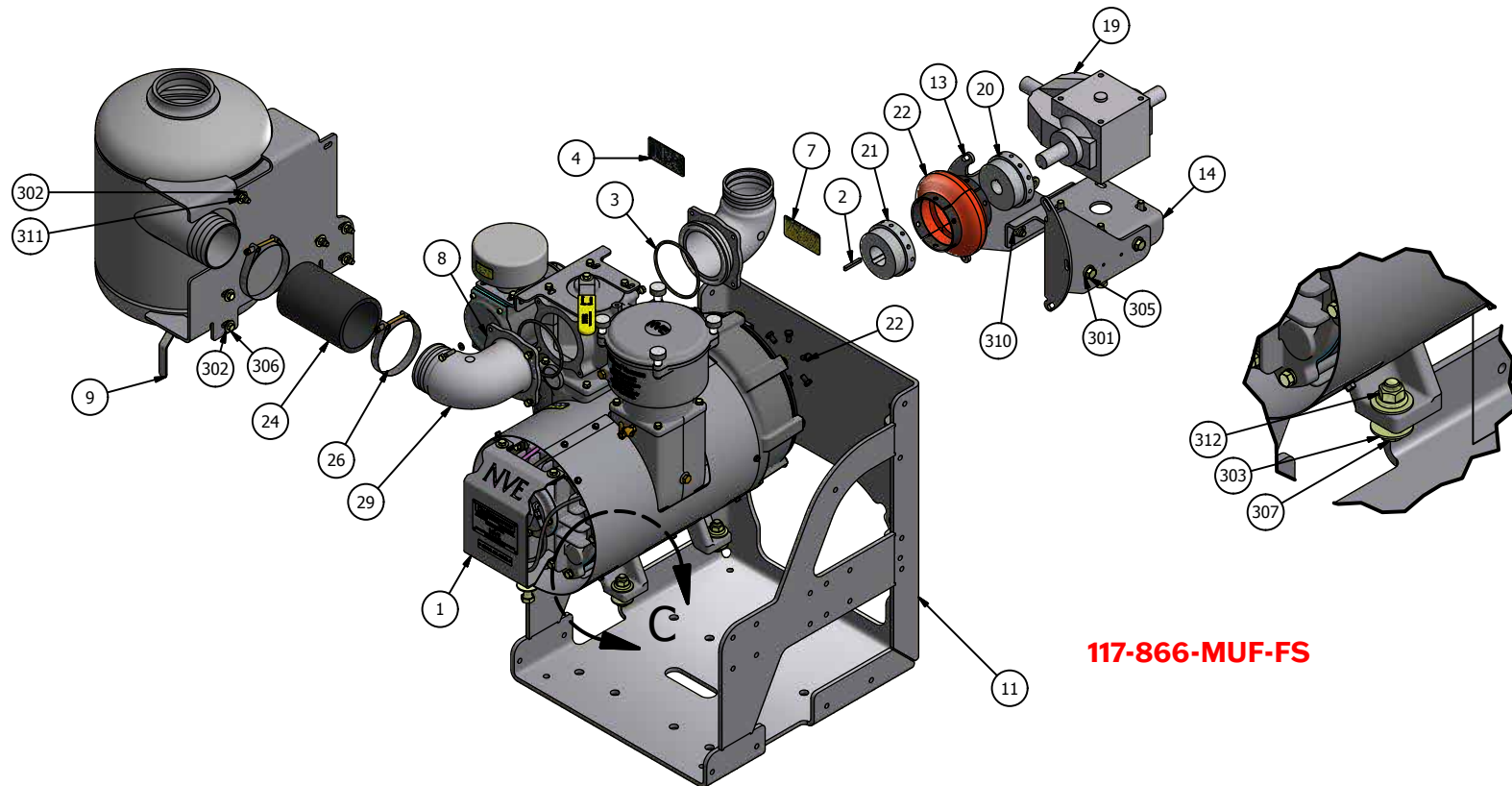


117-866-001-FD

NOTE: Item numbers 300 and above are listed for reference only and may be sourced locally.

866 Pump Stand Complete | Parts List

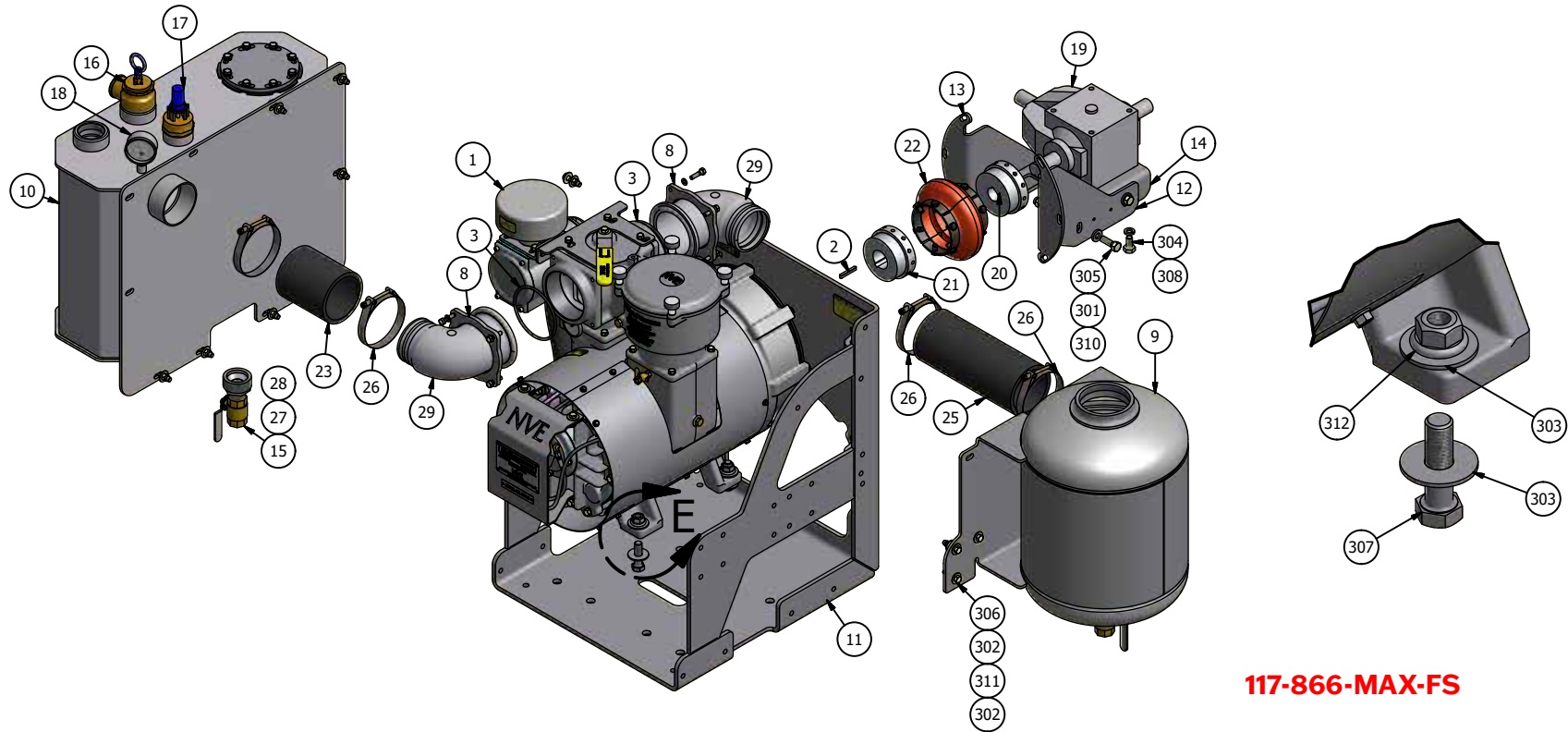
ITEM	QTY	PART NUMBER	DESCRIPTION
2	1	102-866-FD	CHALLENGER 866 CW FAN
13	1	120-006-184	KEY .25" X .25" X 1.875"
12	1	120-100-013	TOE TAG DECAL GEARBOX VENT (INSTALL)
11	1	120-104-001	DECAL, IMPORTANT, RESPONSIBILITY
1	1	280-355-020	PUMP STAND 866 POWDERCOAT
3	1	280-401-003	607P GEARBOX MOUNT WELDED
7	1	422-400-1	GEARBOX, 400 SERIES 1:1 RATIO
8	1	424-200-125	COUPLER HUB E20 1 1/4" BORE 1/4" KEY
9	1	424-200-175	COUPLER HUB E20 1 3/4" BORE
10	1	424-200-E20	COUPLER FLEX ELEMENT E20
300	4	HHCS - 5/8-11 UNC X 2.25	HEX HEAD CAP SCREW - 5/8-11 UNC X 2.25
301	4	HHCS - 1/2-13 UNC X 1.25	HEX HEAD CAP SCREW - 1/2-13 UNC X 1.25
302	4	LW - 1/2	LOCK WASHER, 1/2
303	4	FW - 1/2	FLAT WASHER, 1/2
304	8	FW - 5/8	FLAT WAHSER, 5/8
305	4	NYLOCK NUT - 5/8 UNC	NYLOCK NUT - 5/8 UNC



866 Muffler Package | Parts List

ITEM	QTY	PART NUMBER	DESCRIPTION
1	1	102-866-FS	CHALLENGER 866 CCW FAN
2	1	120-006-184	KEY .25" X .25" X 1.875"
3	2	120-064-012	O-RING, 2-350 VITON
4	1	120-100-001	DECAL, NVE, MUFFLER PAK
5	1	120-100-013	TOE TAG DECAL GEARBOX VENT INSTALL
6	-	120-100-014	TOE TAG DECAL RELIEF MUST BE SET
7	1	120-104-001	DECAL, IMPORTANT, RESPONSIBILITY
8	2	150-063-014	FLANGE, 4" ADJ-ELBOW NARROW
9	1	212-140-4NPT-3	OCM 14" DIA 4" NPT WITH HB SIDE LH
10	-	218-001-4L	M.T. BOLT ON, 4" ALUM LH
11	1	280-355-020	PUMP STAND 866 POWDERCOAT
12	1	280-367-GBB-1	GEARBOX BRACKET, 367 LH
13	1	280-367-GBB-2	GEARBOX BRACKET, 367 RH
14	1	280-367-GBB-3	GEARBOX MOUNTING PLATE
15	-	288-100	DRAIN VALVE BRASS 1" IPS
16	-	364-306-2	PRESSURE RELIEF, 2"
17	-	366-150	VACUUM RELIEF, 1 1/2" NPT
18	-	408-250-LF	GAUGE, 2.5" VAC/PRESS, LIQ BOTTOM CONN
19	1	422-400-1	GEARBOX, 400 SERIES 1:1 RATIO
20	1	424-200-125	COUPLER HUB E20 1 1/4" BORE 1/4" KEY
21	1	424-200-175	COUPLER HUB E20 1 3/4" BORE
22	1	424-200-E20	COUPLER FLEX ELEMENT E20
23	-	426-400-TAR-0550	HOSE 4"D X 5.5"L
24	1	426-400-TAR-0700	HOSE, 4", TAR & ASPHALT-7 IN LG
25	-	426-400-TAR-1150	HOSE 4"D X 11.5"L
26	2	426-4625-TBC	CLAMP, T-BOLT, 4.625"
27	-	428-100-2G	NIPPLE CLOSE MNPT 1" GALV
28	-	428-2X1-CG	BUSHING 2" MPT X 1" FPT GALVANIZED
29	2	803-063-001	E-COAT ELBOW 4" 90 DEG ALUM (HB TO O-RING)
301	4	FW - 1/2	FLAT WASHER - 1/2"
302	12	FW - 3/8	FLAT WASHER, 3/8"
303	8	FW - 5/8	FLAT WASHER - 5/8"
304	4	HHCS - 1/2-13 UNC X 1.00	HHCS - 1/2-13 UNC X 1.00
305	4	HHCS - 1/2-13 X 1.50	HEX HEAD CAP SCREW - 1/2-13 UNC X 1.50
306	6	HHCS - 3/8-16 UNC X 1.50	HEX HEAD CAP SCREW - 3/8-16 UNC X 1.50"
307	4	HHCS - 5/8 X 2.25 UNC	HEX HEAD CAP SCREW - 5/8 X 2.25 UNC

ITEM	QTY	PART NUMBER	DESCRIPTION
308	4	LW - 1/2	LOCK WASHER, 1/2
310	4	NYLOCK NUT - 1/2 UNC	NYLOCK NUT - 1/2 UNC
311	6	NYLOCK NUT - 3/8 UNC	NYLOCK NUT - 3/8 UNC
312	4	NYLOCK NUT - 5/8 UNC	NYLOCK NUT - 5/8 UNC



866 Max Package | Parts List

ITEM	QTY	PART NUMBER	DESCRIPTION
1	1	102-866-FS	CHALLENGER 866 CCW FAN
2	1	120-006-184	KEY .25" X .25" X 1.875"
3	2	120-064-012	O-RING, 2-350 VITON
4	1	120-100-001	DECAL, NVE, MUFFLER PAK
5	1	120-100-013	TOE TAG DECAL GEARBOX VENT INSTALL
6	1	120-100-014	TOE TAG DECAL RELIEF MUST BE SET
7	1	120-104-001	DECAL, IMPORTANT, RESPONSIBILITY
8	2	150-063-014	FLANGE, 4" ADJ-ELBOW NARROW
9	1	212-140-4NPT-3	OCM 14" DIA 4" NPT WITH HB SIDE LH
10	1	218-001-4L	M.T. BOLT ON, 4" ALUM LH
11	1	280-355-020	PUMP STAND 866 POWDERCOAT
12			NO LONGER AVAILABLE
13	1	280-401-004	LIQUID COOLED PUMP
14	1	280-401-003	FAN COOLED PUMP
15	1	288-100	DRAIN VALVE BRASS 1" IPS
16	1	364-306-2	PRESSURE RELIEF, 2"
17	1	366-150	VACUUM RELIEF, 1 1/2" NPT
18	1	408-250-LF	GAUGE, 2.5" VAC/PRESS, LIQ BOTTOM CONN
19	1	422-400-1	GEARBOX, 400 SERIES 1:1 RATIO
20	1	424-200-125	COUPLER HUB E20 1 1/4" BORE 1/4" KEY
21	1	424-200-175	COUPLER HUB E20 1 3/4" BORE
22	1	424-200-E20	COUPLER FLEX ELEMENT E20
23	1	426-400-TAR-0550	HOSE 4"D X 5.5"L
24	-	426-400-TAR-0700	HOSE, 4", TAR & ASPHALT-7 IN LG
25	1	426-400-TAR-1150	HOSE 4"D X 11.5"L
26	4	426-4625-TBC	CLAMP, T-BOLT, 4.625"
27	1	428-100-2G	NIPPLE CLOSE MNPT 1" GALV
28	1	428-2X1-CG	BUSHING 2" MPT X 1" FPT GALVANIZED
29	2	803-063-001	E-COAT ELBOW 4" 90 DEG ALUM (HB TO O-RING)
301	4	FW - 1/2	FLAT WASHER - 1/2"
302	26	FW - 3/8	FLAT WASHER, 3/8"
303	8	FW - 5/8	FLAT WASHER - 5/8"
304	4	HHCS - 1/2-13 UNC X 1.00	HHCS - 1/2-13 UNC X 1.00
305	4	HHCS - 1/2-13 X 1.50	HEX HEAD CAP SCREW - 1/2-13 UNC X 1.50
306	13	HHCS - 3/8-16 UNC X 1.50	HEX HEAD CAP SCREW - 3/8-16 UNC X 1.50"
307	4	HHCS - 5/8 X 2.25 UNC	HEX HEAD CAP SCREW - 5/8 X 2.25 UNC

ITEM	QTY	PART NUMBER	DESCRIPTION
308	4	LW - 1/2	LOCK WASHER, 1/2
310	4	NYLOCK NUT - 1/2 UNC	NYLOCK NUT - 1/2 UNC
311	13	NYLOCK NUT - 3/8 UNC	NYLOCK NUT - 3/8 UNC
312	4	NYLOCK NUT - 5/8 UNC	NYLOCK NUT - 5/8 UNC

FEATURES

- The NVE Challenger repair kits come with or without bearings and include the seals, gaskets, and vanes required for repair.
- The NVE Challenger flush kits come with all the required items to properly flush your Challenger vacuum pumps.
- The NVE Challenger Pump Oil is ISO 150; though this oil is not required, it is recommended to keep your vacuum pump lubricated properly, particularly in extreme conditions. Sold by the case, six (6) gallons per case.



PRODUCT DESCRIPTION	PART NUMBER	WEIGHT	MSRP
Essential Black Box - Pump Tool Kit	120-OT15	20 lbs	\$718.94
Repair Kit	115-866-0	7 lbs	\$1,124.76
Repair Kit (without bearings)	115-866-0B	4 lbs	\$999.10
Flush Fluid Kit	320-081-002	2 lbs	\$88.81
Oil Vacuum Pump R&O ISO 150/SAE 40 ND. Price per Gallon. 6 Gallons per Case.	150-220-VPOIL-150	7 lbs	\$27.93

Notes



DESIGNED. BUILT. SUPPORTED.

Produced in the USA | Distributed World-Wide

Toll Free 800-253-5500

24-Hour Fax 800-998-6834

P.O. Box 685 | Traverse City, MI 49685

NVE
Challenger **Series**
VACUUM PUMPS & BLOWERS